



**Small ink Control Cabinet for maximum 2 inkjet heads**



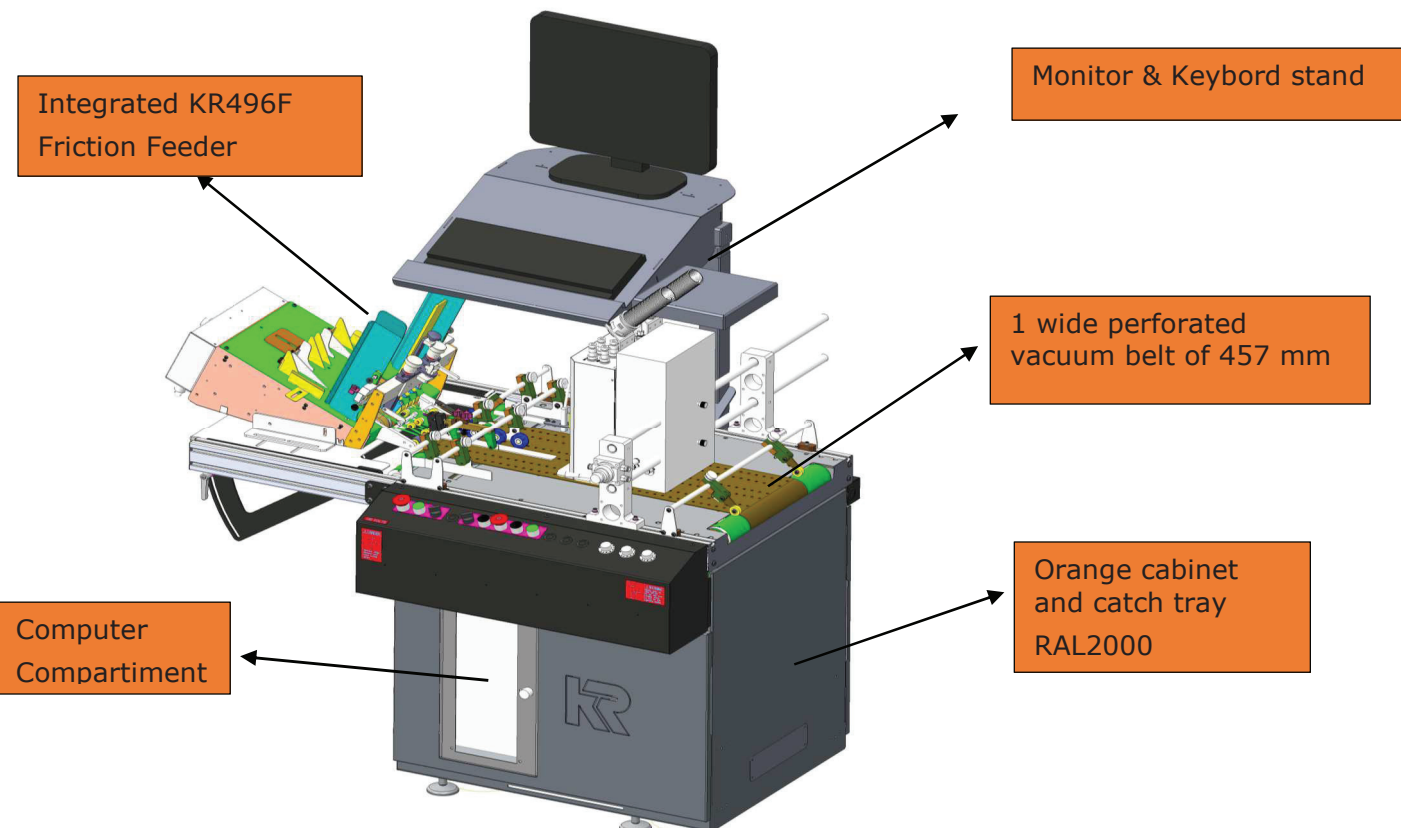
**Small inkjet cabinet with computer compartment.**

2. Kirk-Rudy 496F Friction Feeder.

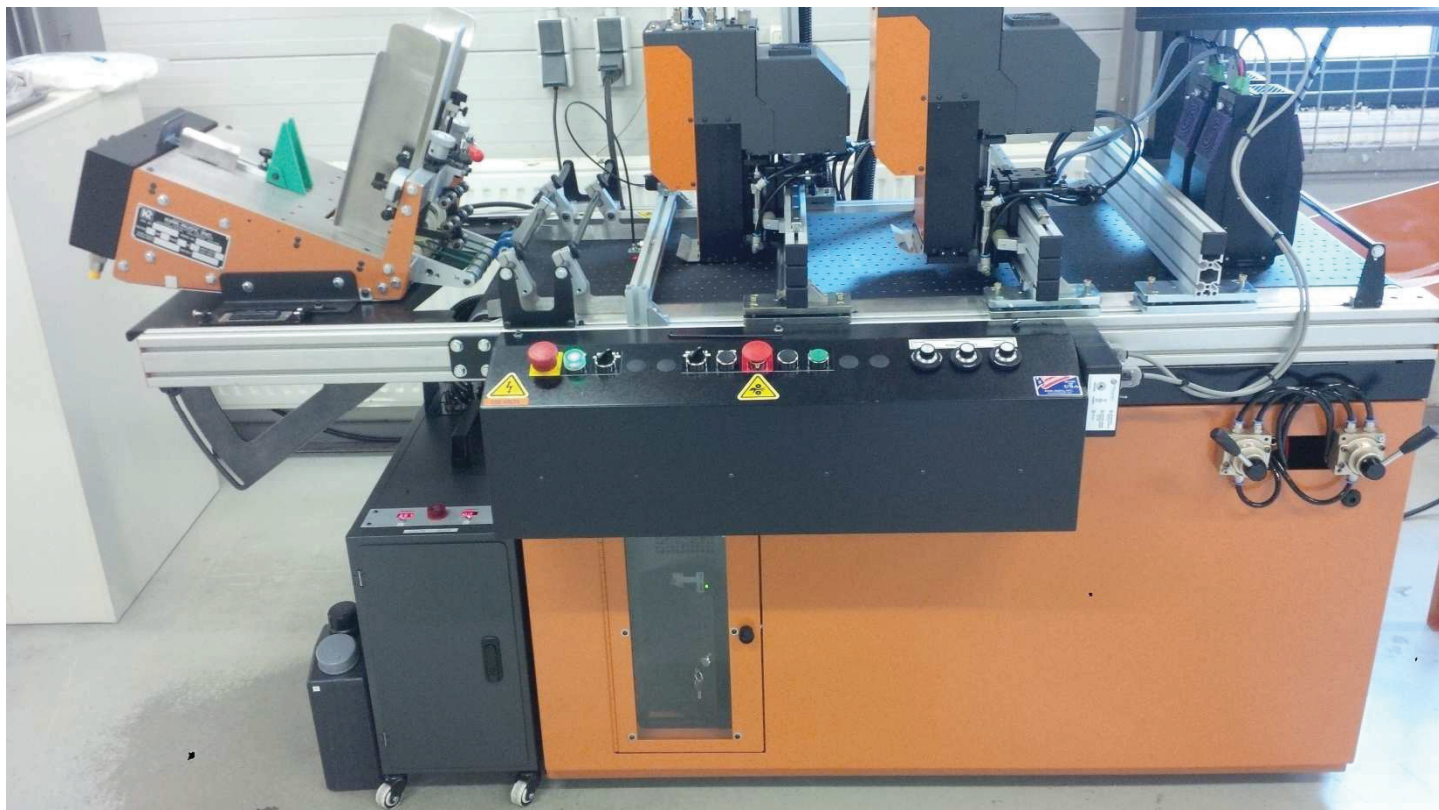


**KR496F Product Specifications: Up to 355 mm wide and 300 mm long. With single roller kit for narrow product of minimum 35 mm wide.**

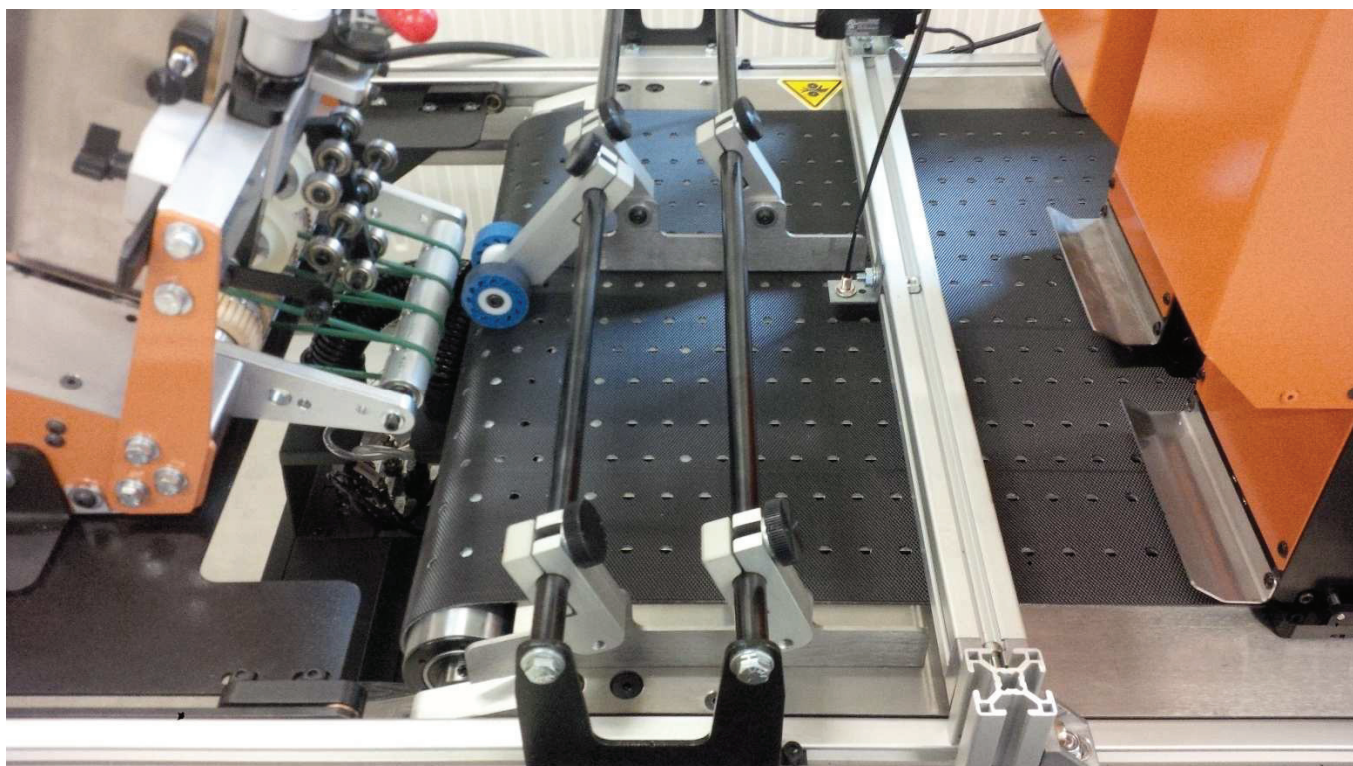
3. Kirk-Rudy 519V Vacuum Transport base with 1 perforated wide belt of 457 mm, Computer Compartment, Keyboard & Monitor stand and catch tray.







**Taurus inkjet system with friction feeder and vacuum transport base with 2 print heads.**

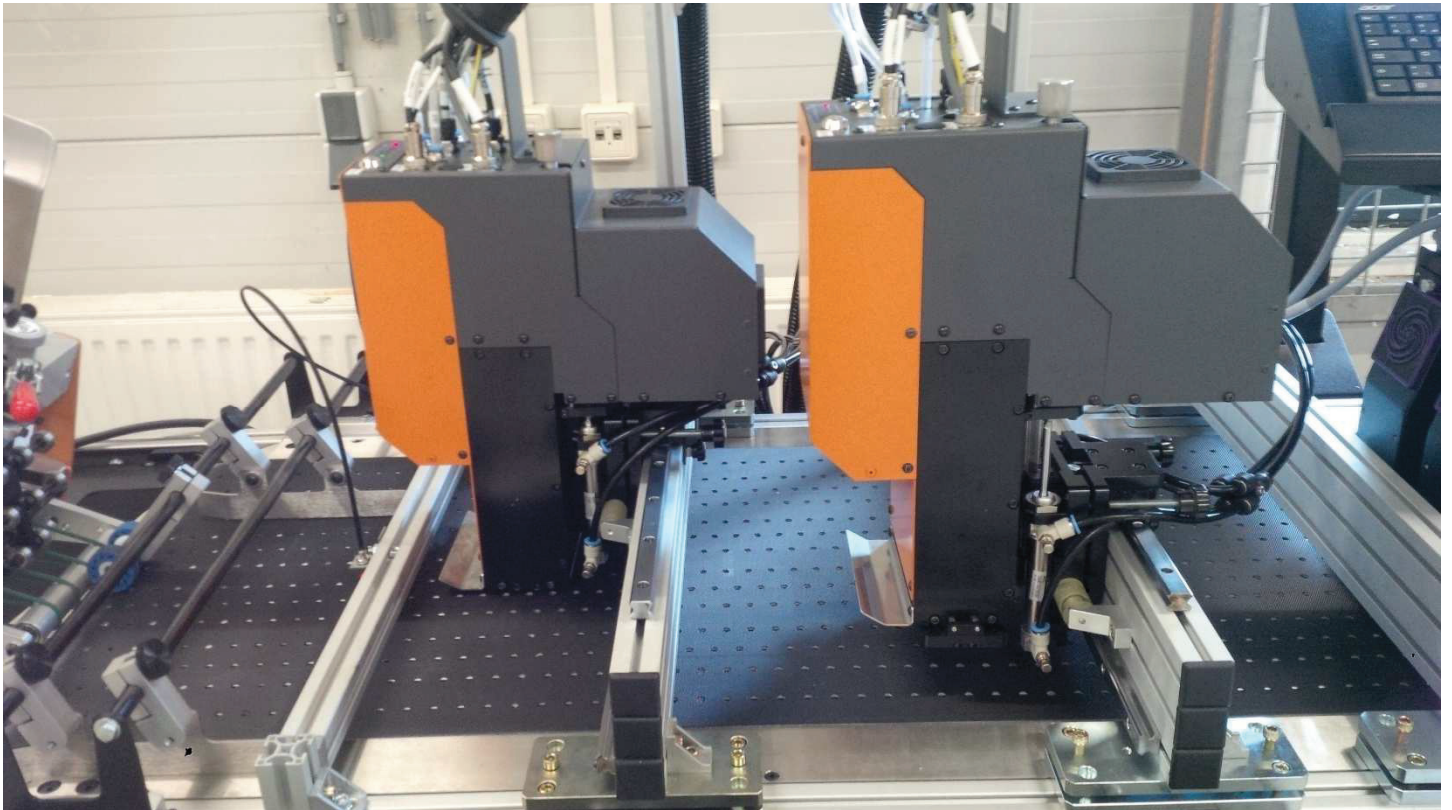
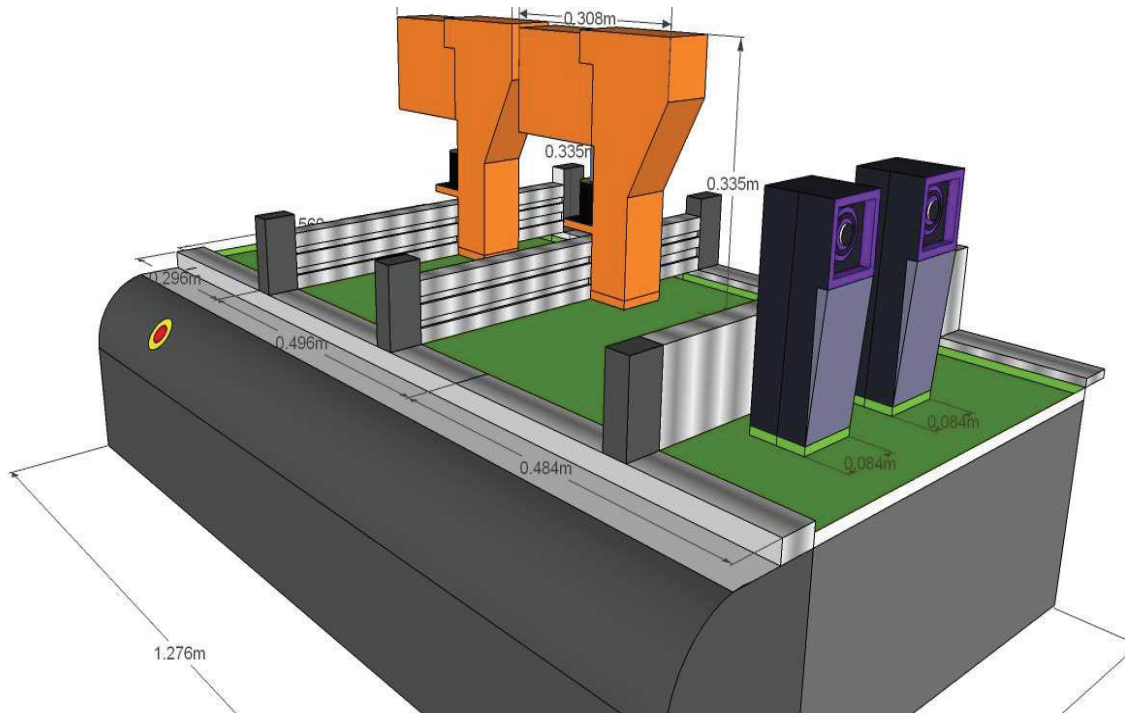


**Taurus System infeed with 457 mm perforated vacuum belt.**



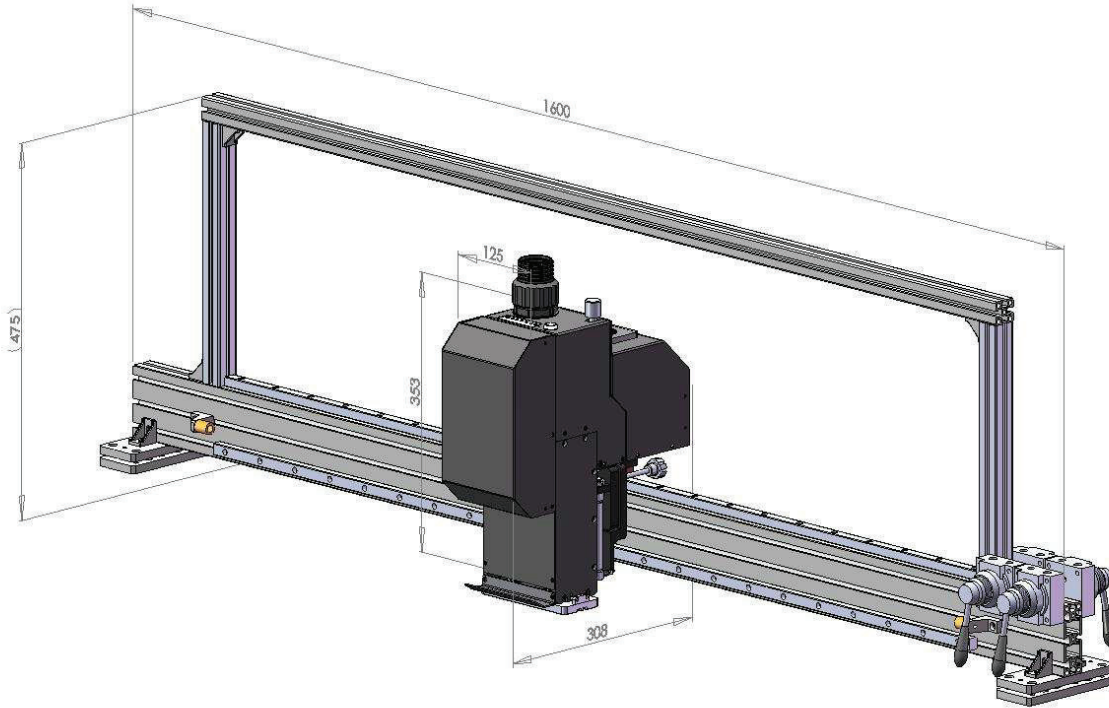


4. Lay-out Taurus print head modules and LED Curing systems.



**Two Taurus UV GEN5 Ricoh print heads of 54 mm print width each.**

5. Mounting bracket Taurus print Module.



6. FJ200 LED Curing system.  
Peak Irradiance 12W/cm<sup>2</sup>, 395 nm, air cooled  
Emitting window 75 x 20 mm  
Including power supply, DC cable and control box.



**2 x LED Curing lamps of 75 mm curing width each.**



**Advantages Taurus against Buskro Atom and HP 42 ml Cartridges:**

- **Print width of 54 mm width per head**
- **Super crisp print quality because of adjustable drop size from 7 pl, to 14 pl**
- **Print on any substrate because of UV ink like glossy paper, plastic, foil etc.**
- **Print in 600 x 600 dpi**
- **Professional total solution for an affordable investment**
- **Very low ink costs in comparison with Buskro and HP (see below chart)**

TECHNICAL SPECIFICATIONS/INK USE		Gen5		Buskro Atom		HP 42 ml InkJet	
Print Width		54mm		65mm		38mm	
Native Resolution		600dpi		300dpi		600dpi	
Horizontal Resolution (dpi)	Max Print Speed m/min	300dpi 450dpi 600dpi	150 100 75 <b>max. 50 m/min</b>	100 200 300 400 600	?	600dpi 300dpi 200dpi 150dpi	38 76 110 146
Droplet Volume PL		7-21 w greyscale		30, 80		N/A	
Ink Types		UV Curable/ Waterbased		UV Curable/ Waterbased		HP Cartridge/ Water based	
Color		Monochrome UV		Monochrome UV		Monochrome HP WB	
<b>Number of Prints</b>	<b>100.000</b>						
Ink Costs per unit based on number of prints and 6 line address with 2D code		<b>€ 285,00</b> p/Liter		€ 289,00 p/Liter		€ 24,00 p/Cartr. 42 ml Versatile Black	
Effective Ink Costs based on number of prints and 6 line address with 2D code at 10% correction factor		<b>600x300 14pl</b>	<b>€ 22,15</b>	<b>300x600 80pl</b>	<b>€ 129,38</b>	<b>300x600</b>	<b>€ 90,00</b>
		<b>600x600 14pl</b>	<b>€ 44,62</b>	<b>300x600 30pl</b>	<b>€ 48,50</b>	<b>600x600</b>	<b>€ 181,00</b>

Mr Amica Systems  
 AMICA SYSTEMS EUROPE  
 Camerastraat 6  
 1322 BC ALMERE  
 The Netherlands  
 www.Amicasystems.com



01-01-2015

**Ink Costs per unit based on above lay-out address.**